

Name \_\_\_\_\_

**Fact:** Mark is from London, England. He wanted to go to the Bahamas. His flight was delayed in New York. His flight finally left JFK. He arrived in the Bahamas. It is warm and sunny in the Bahamas!

**Directions:**

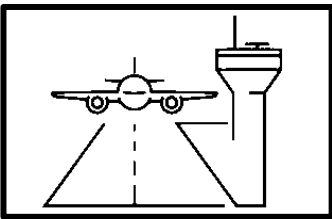
1. Cut out **the Sunshine** and glue it on the box near the Bahamas.
2. Cut out the **bad weather** and glue it on the box near New York.



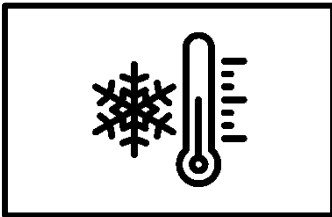
Name \_\_\_\_\_

**Directions:**

1. Cut out each box below.
2. Paste each box into the correct space.



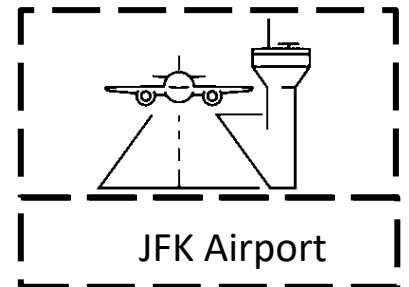
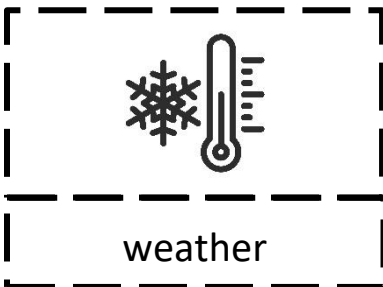
This is \_\_\_\_\_.



There was bad \_\_\_\_\_.



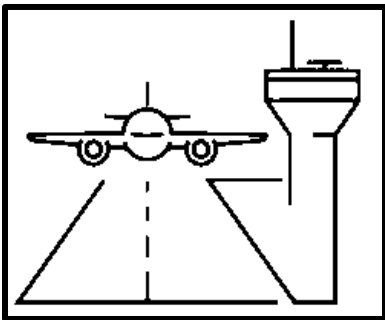
JFK Airport is in \_\_\_\_\_.



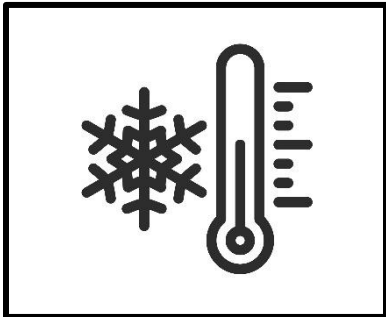
Name \_\_\_\_\_

**Directions:**

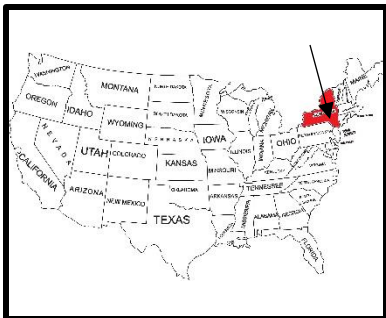
1. Cut out each box below.
2. Paste each box into the correct space.



This is \_\_\_\_\_.



There was bad \_\_\_\_\_.



JFK Airport is in \_\_\_\_\_.

weather

New York

JFK Airport

Name \_\_\_\_\_

**Directions:**

1. Cut out each box below.
2. Paste each box into the correct space.

1. There was bad \_\_\_\_\_.
2. There were delays at \_\_\_\_\_.
3. This happened on \_\_\_\_\_.
4. JFK Airport is in \_\_\_\_\_.

weather

January 6

JFK Airport

New York

Name \_\_\_\_\_

**Directions:** Use the words below to write about **The Fire at Trump Tower.**

JFK Airport	New York	delayed	London, England	Bahamas
January 6th	bad weather	Mark Kirby	flight	



---

---

---

---

---

---

---

---

Name \_\_\_\_\_

**Directions:** Glue the picture card into the correct box.

**What**

bad weather

**Where**

JFK Airport

**Where**

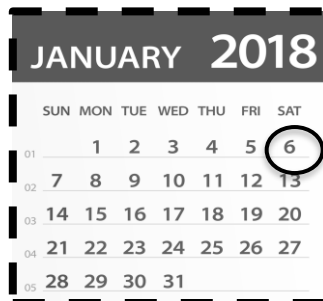
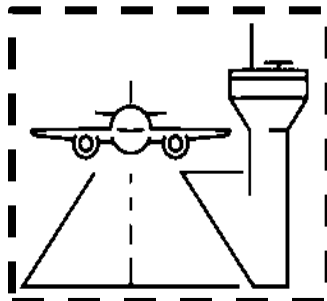
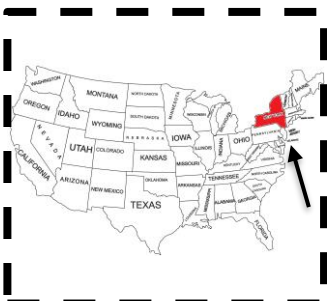
New York

**When**

**JANUARY 2018**

SUN	MON	TUE	WED	THU	FRI	SAT
01	1	2	3	4	5	6
02	7	8	9	10	11	12
03	14	15	16	17	18	19
04	21	22	23	24	25	26
05	28	29	30	31		

January 6



Name \_\_\_\_\_

**Directions:** Glue the picture card into the correct box.

**What**

What happened in New York?

bad weather

**Where**

Where were flights delayed?

JFK Airport

**Where**

Where is JFK Airport?

New York

**When**

When did this happen?

January 6

bad weather

JFK Airport

**JANUARY 2018**

SUN	MON	TUE	WED	THU	FRI	SAT
	1	2	3	4	5	6
01	7	8	9	10	11	12
02	13	14	15	16	17	18
03	19	20				

January 6

New York

Name \_\_\_\_\_

**Directions:** Use the words in the text box to answer the questions below.



**When** – time or date



**What** – a thing



**Where** – a place



**Who** – a person or people

JKF Airport

New York

bad weather

January 6

**What** happened at JFK Airport? \_\_\_\_\_.

**Where** is JFK Airport? \_\_\_\_\_.

**When** was the delay? \_\_\_\_\_.

**Where** did this happen? \_\_\_\_\_.